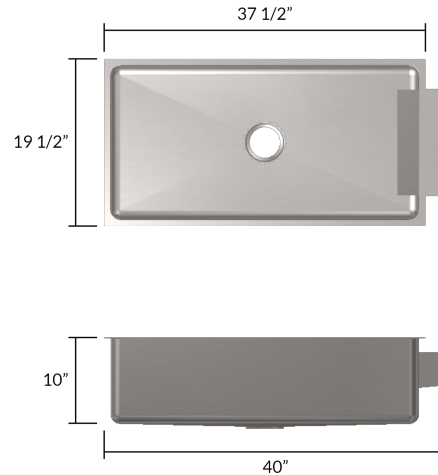


003257-DW2-DP5

UNDERMOUNT (DEFAULT) STAINLESS STEEL KITCHEN SINK



Specifications

Standard model	003257
Collection	Classic
Bowl dimension	36" x 18" x 10"
Overall dimensions	40" x 19 1/2" x 10"
Fits cabinet size	Custom cabinet

À la Carte options

Installation type	Undermount *
Built-in drawer	Right wall (DW2) 3.25" x 12.75" x 4"
Position of the drain	Center (DP5)

* Default option

Recommended Accessories

Colander	205319
Colander	205325
Colander	205331
Tray	205322
Tray	205334
Bin	205328
Drying rack	215308
Cutting board	210068

Recommended Grids

Grid	200923
-------------	--------

Recommended Drains

Drain	100082
--------------	--------

Features

- Handcrafted in Canada
- Commercial quality stainless steel 16 ga thickness
- Corrosion resistant material 304 series (18/10)
- Environmentally friendly product, 100% recyclable
- Elegant no. 4 brushed finish that matches the appliances
- Highly efficient sound deadening pads
- Practical flat sink bottom and straight bowl sides that maximize available space in the bowl
- Stylish and functional bowl bottom grooves that facilitate water drainage
- Rear 3-1/2" drain placement
- Mounting hardware and cutout template included
- Certifications: ASME A112.19.3, CSA B45.0, CSA B45.4

Warranty

Home Refinements offers a LIMITED LIFETIME WARRANTY on the fixed components of its stainless steel sinks against defects of material and workmanship. For further details on our product warranty, please refer to our catalog or Web site.

Julien Inc. reserves the right to modify product specifications without prior notice.
For latest information, please refer to our website homerefinements.ca or contact our customer service.