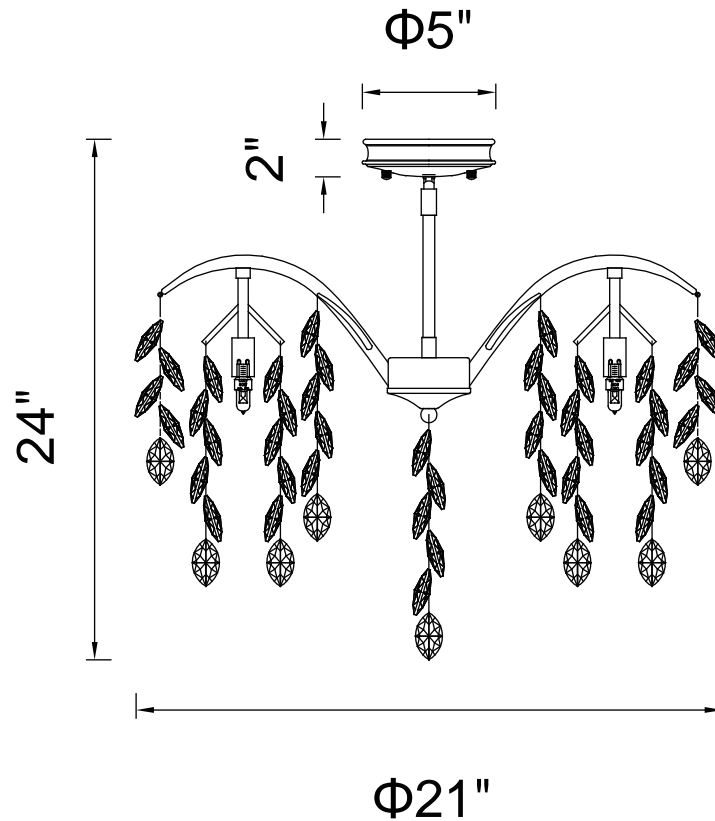


PROJECT: _____

FIXTURE TYPE: _____

LOCATION: _____

CONTACT/PHONE: _____



Item	9885C21-5-183
Collection	NAPAN
Finish	Silver Mist
Glass	-----
Crystal	Clear
Input	120V AC,60HZ,AC

Shade	-----
Length/Dia.	21"
Width/Ext.	-----
Height	24"
Maximum	24"
Lumens	-----

Light Source	G9
Bulb Info.	5x40W
Included	-----
Dimmable	Yes
Color	-----
Weight	