
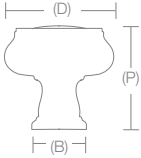


# GEOMETRIC


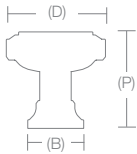
Cabinet Knobs & Pulls Technical Specifications

# EMTEK

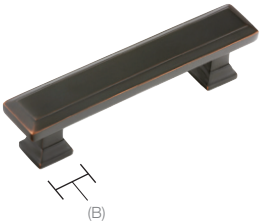
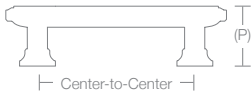
## Geometric Oval Cabinet Knob

		<b>Product Code</b> <b>Dimension(D)</b> <b>Projection(P)</b> <b>Base Diameter(B)</b>
		86304   1 ¼"   1 ¼"   ¾"
		86305   1 ½"   1 ½"   ¾"
		86306   1 ¾"   1 ½"   ¾"

## Geometric Square Knob

		<b>Product Code</b> <b>Dimension(D)</b> <b>Projection(P)</b> <b>Base Dimension(B)</b>
		86295   1 ¼"   1 ¼"   ¾"
		86296   1 5/8"   1 3/8"   ¾"

## Geometric Rectangular Pull

		<b>Product Code</b> <b>Dimension C-to-C</b> <b>Overall</b> <b>Projection(P)</b> <b>Base Dimension(B)</b>
		86299   3"   4 ¼"   1 1/8"   5/8"
		86300   3 ½"   4 5/8"   1 1/8"   5/8"
		86301   4"   5 ¼"   1 1/8"   5/8"
		86492   5"   6 ¼"   1 1/8"   5/8"
		86302   6"   7 ¼"   1 1/8"   5/8"
		86303   10"   11 ¼"   1 1/8"   5/8"
		86493   12"   13 ¼"   1 1/8"   5/8"